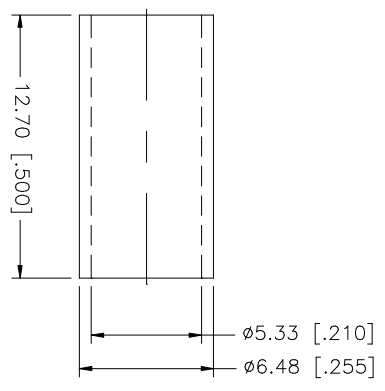
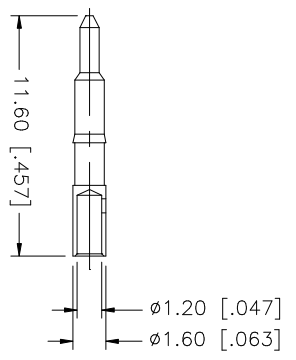
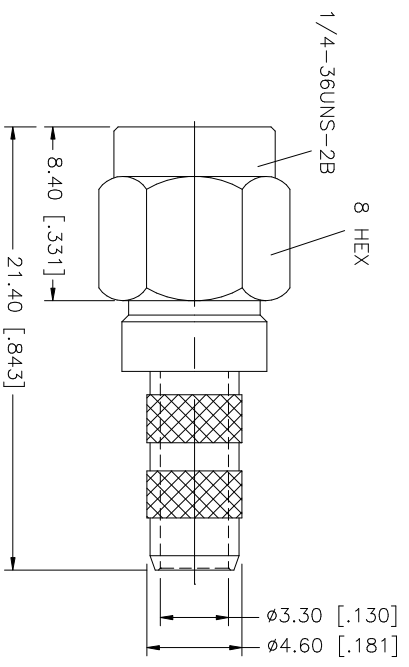
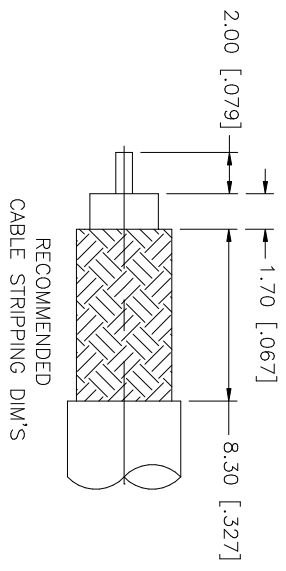


REV.	DATE	DESCRIPTION
A	01/25/04	UPDATE DRAWING FORMAT



NOTE:
1. CRIMPED FERRULE
HEX CRIMP SIZE .213"
2. CONTACT PIN TO SOLDER

8	DESCRIPTION	MATERIAL	FINISH	QTY	UNLESS OTHERWISE SPECIFIED DIMENSIONS ARE IN MILLIMETERS QUOTATIONS IN INCHES ARE IN INCHES AND FOR CUSTOMER REFERENCE ONLY.	APPROVALS	DATE	PART DESCRIPTION		
7					UNLESS OTHERWISE SPECIFIED DIMENSIONS ARE IN MILLIMETERS QUOTATIONS IN INCHES ARE IN INCHES AND FOR CUSTOMER REFERENCE ONLY.	DRAWN	G.R.S.	01/25/04	Amphenol Connex SMA CRIMP PLUG (FOR TIMES LMR-200) 132234	
6					TOLERANCES FOR MILLIMETERS: 0.5 - 8mm ± 0.20mm 8 - 30mm ± 0.40mm 30 - 120mm ± 0.50mm	CHECKED				
5					TOLERANCES FOR INCHES: UNLESS OTHERWISE SPECIFIED DIMENSIONS ARE IN INCHES AND FOR CUSTOMER REFERENCE ONLY.	ISSUED				
4	FERRULE	COPPER	GOLD	1		SHEET	1 OF 1			
3	CONTACT PIN	BRASS	GOLD	1		CAD FILE	C:/132/132234.DWG			
2	INSULATOR	TEFLON	NATURAL	1		DWG. NO.	132234.DWG	REV. A	SIZE A	SCALE NA
1	BODY	BRASS	GOLD	1						